

FIG. 1A

A. N. V. Pradeep Kumar
N.V. Pradeep Kumar Alanki
Of Global IP Services
Registration number: IN/PA-1543

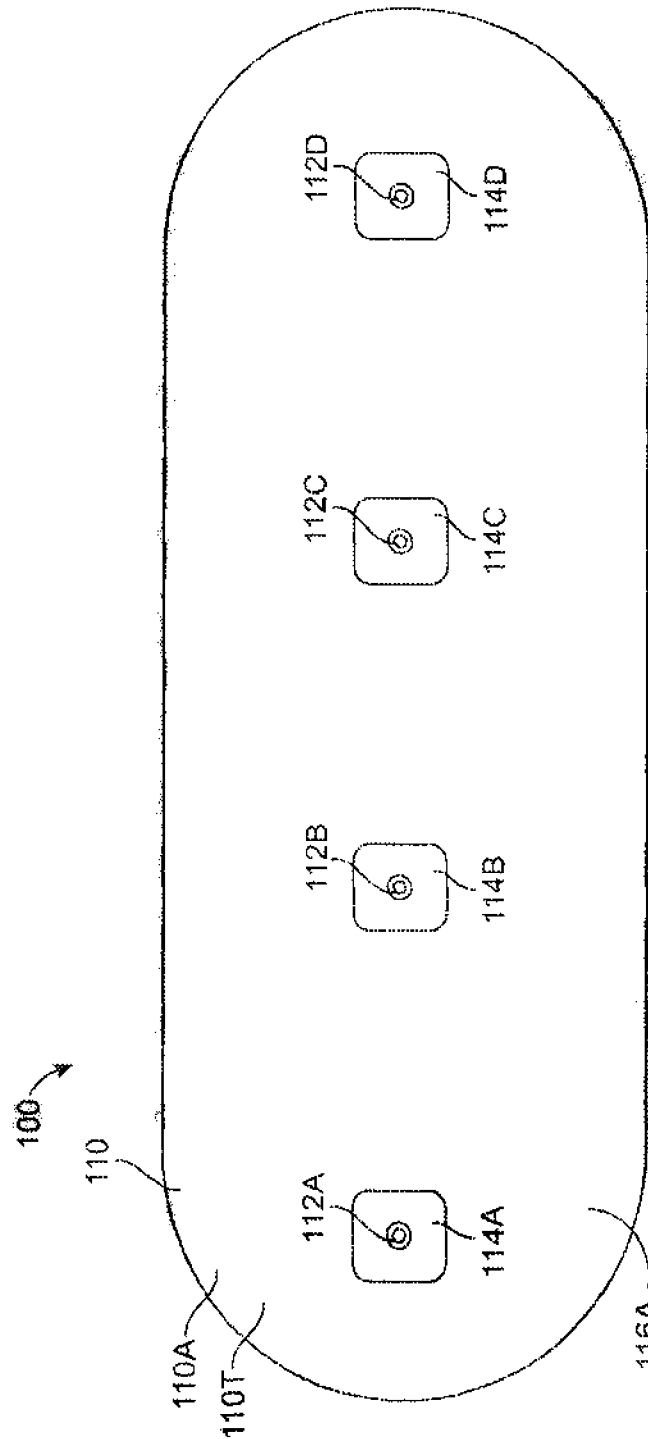


FIG. 1B

N.V. Pradeep Kumar
N.V. Pradeep Kumar Alanki
Of Global IP Services
Registration number: IN/PA-1543

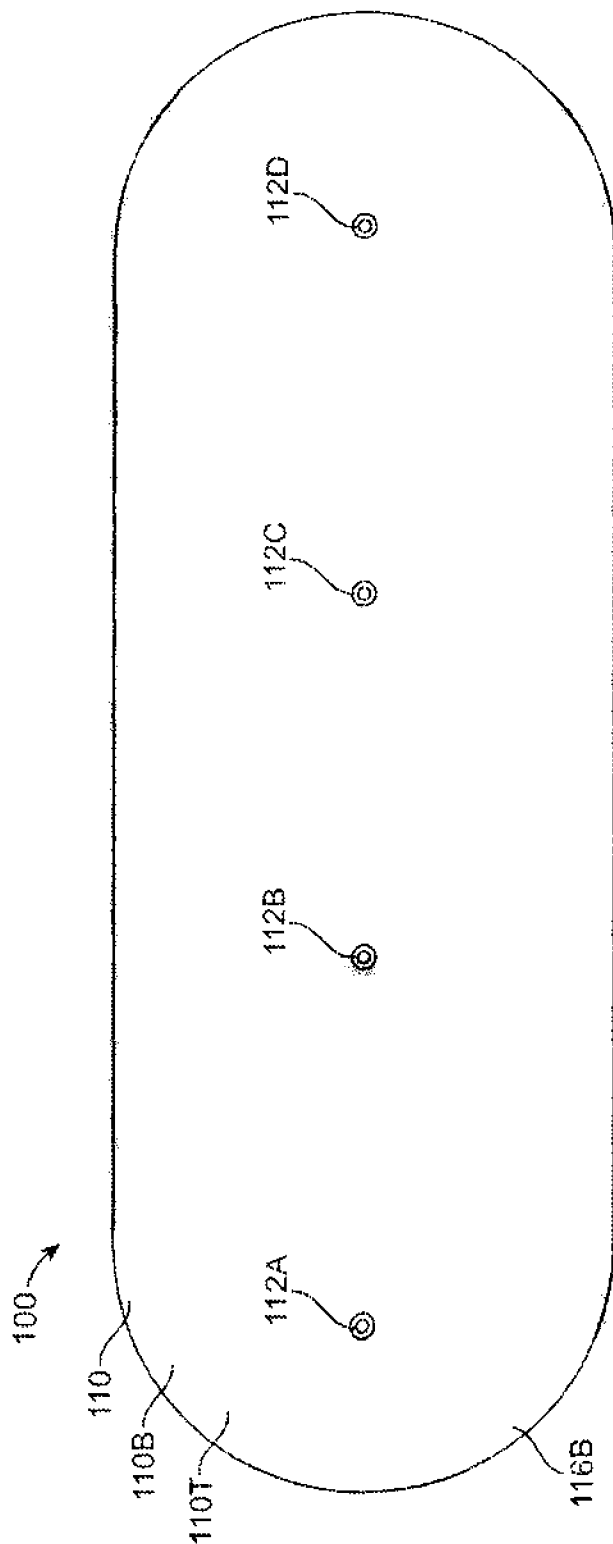


FIG. 1C

N.V. Pradeep Kumar
N.V. Pradeep Kumar Alanki
Of Global IP Services
Registration number: IN/PA-1543

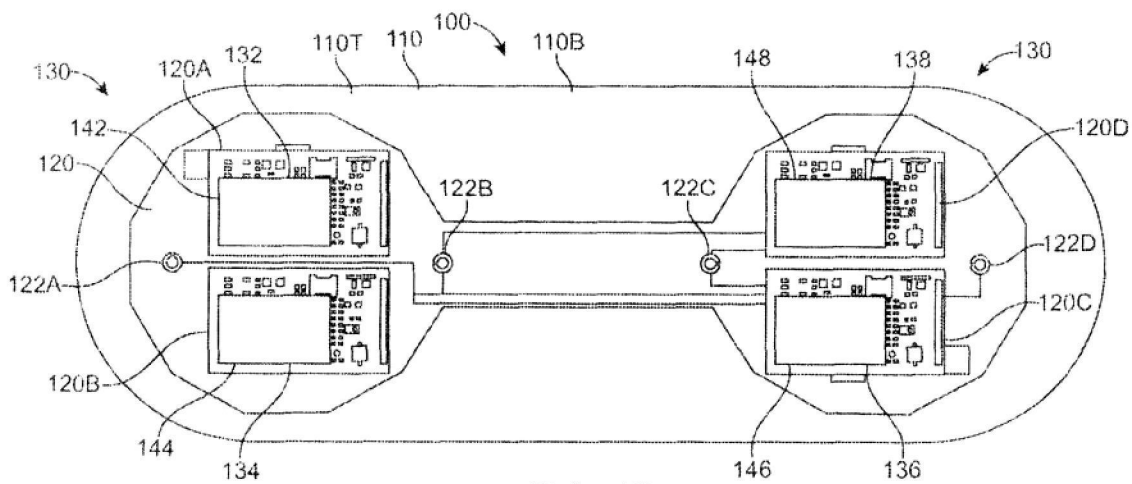


FIG. 1D

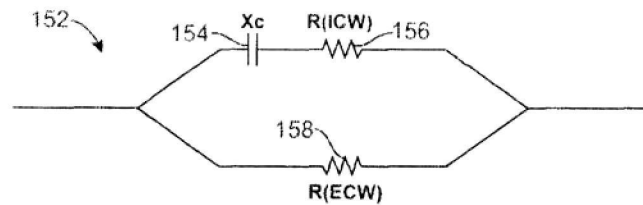


FIG. 1D-1

N.V. Pradeep Kumar
N.V. Pradeep Kumar Alanki
Of Global IP Services
Registration number: IN/PA-1543

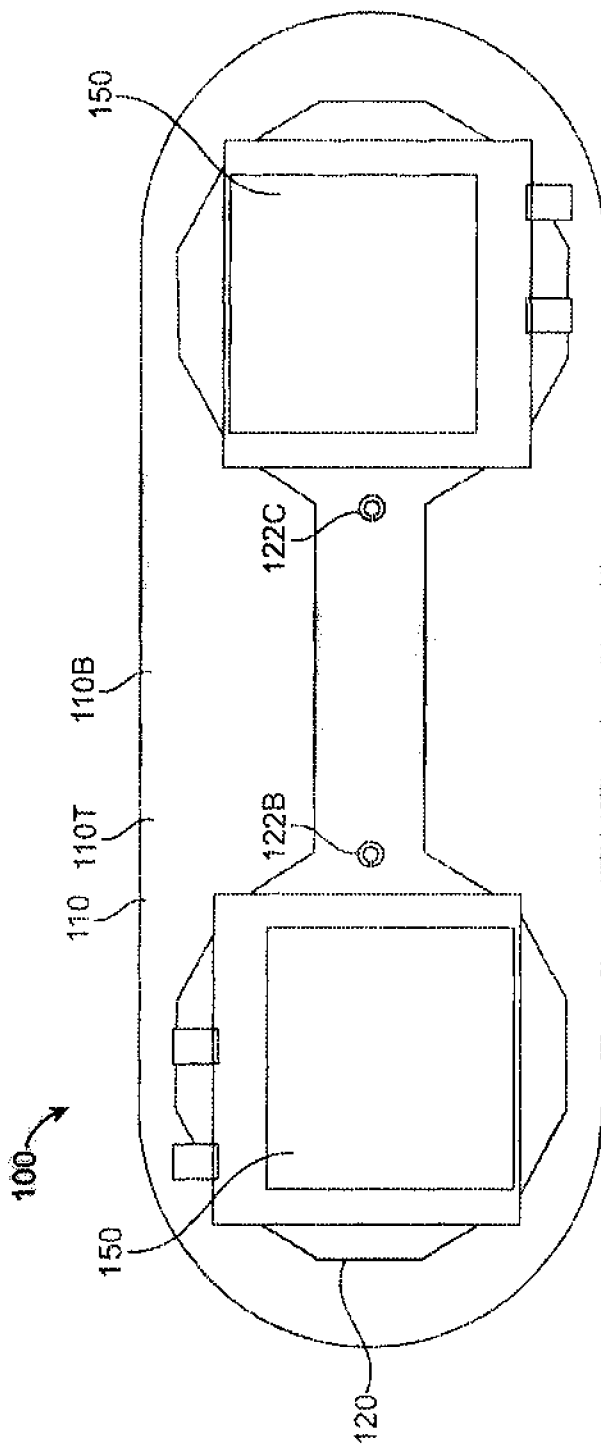


FIG. 1E

N.V. Pradeep Kumar
N.V. Pradeep Kumar Alanki
Of Global IP Services
Registration number: IN/PA-1543

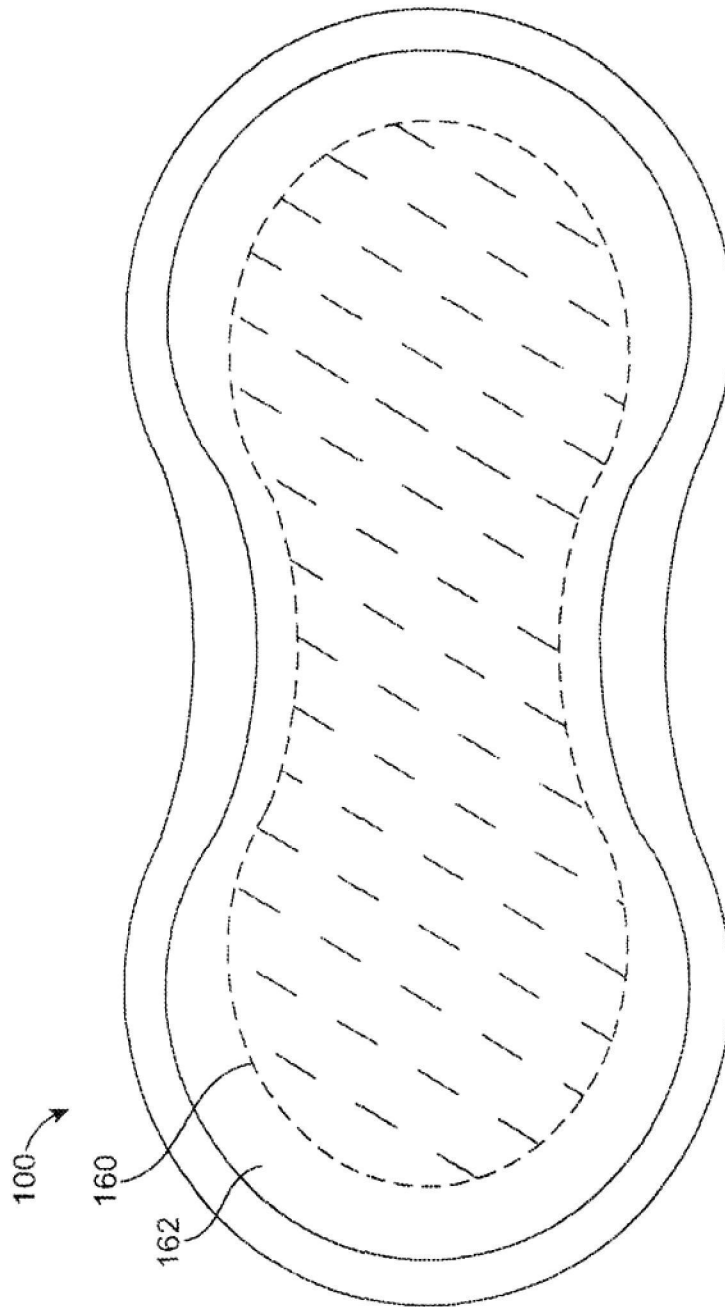


FIG. 1F

N.V. Pradeep Kumar
N.V. Pradeep Kumar Alanki
Of Global IP Services
Registration number: IN/PA-1543

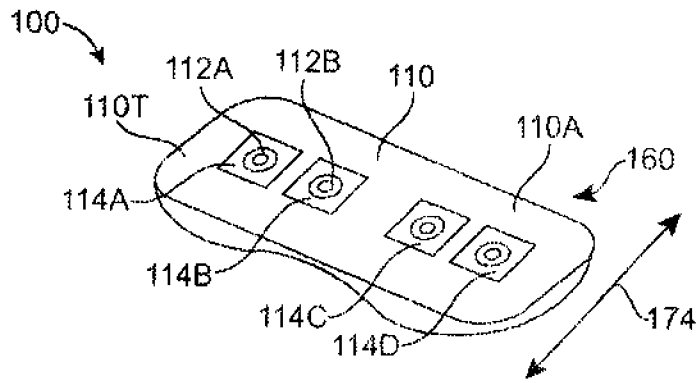


FIG. 1H

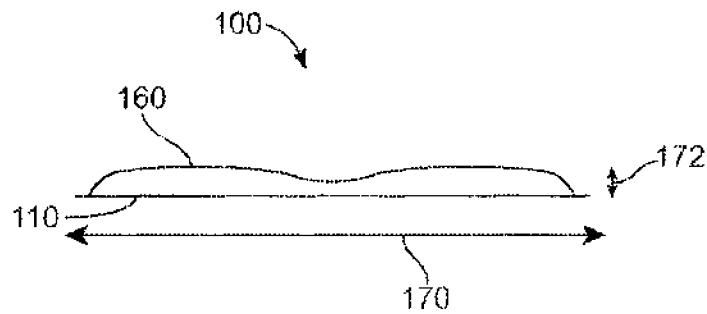


FIG. 1G

N.V. Pradeep Kumar
N.V. Pradeep Kumar Alanki
Of Global IP Services
Registration number: IN/PA-1543

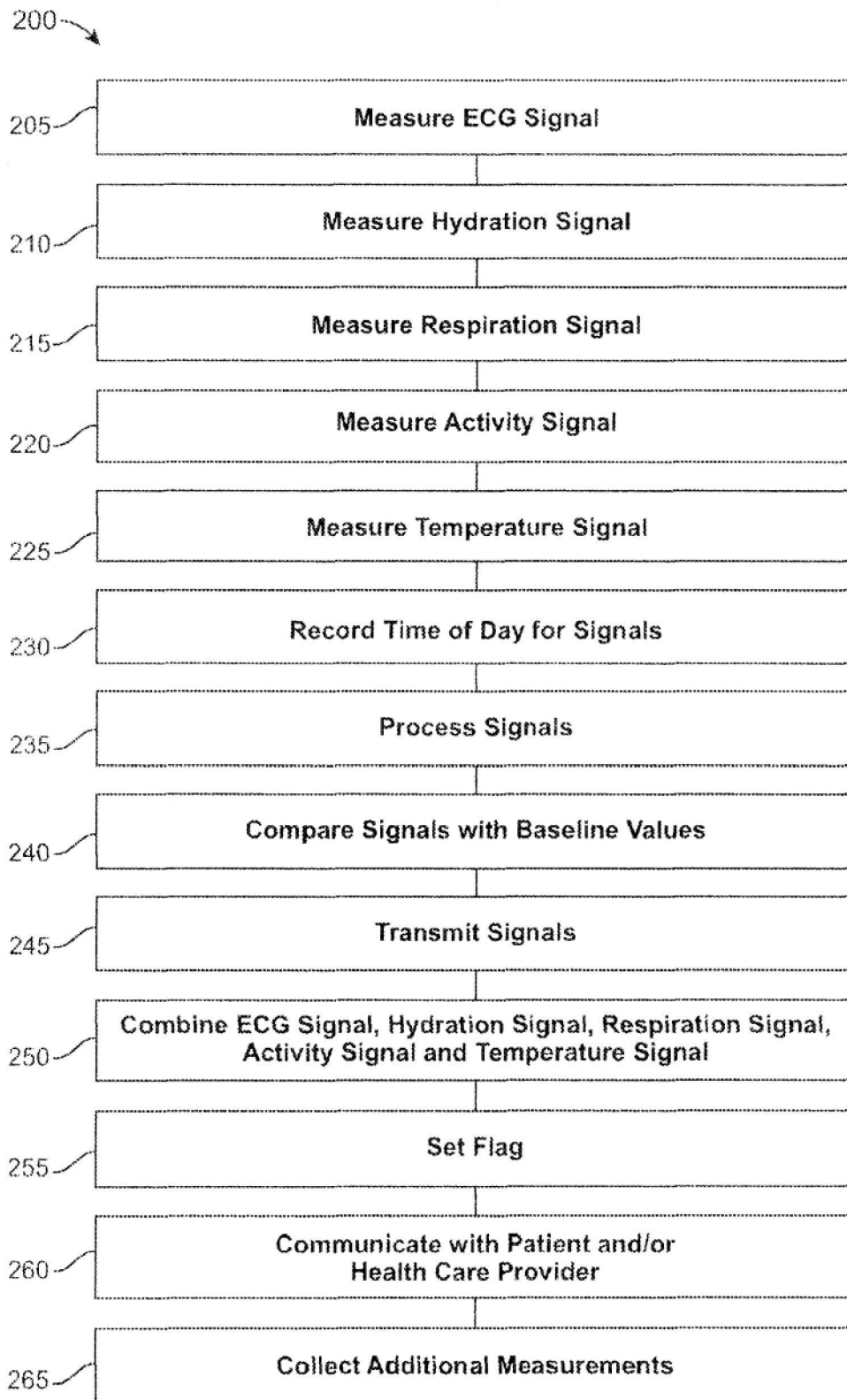


FIG. 2A

N.V. Pradeep Kumar
N.V. Pradeep Kumar Alanki
Of Global IP Services
Registration number: IN/PA-1543

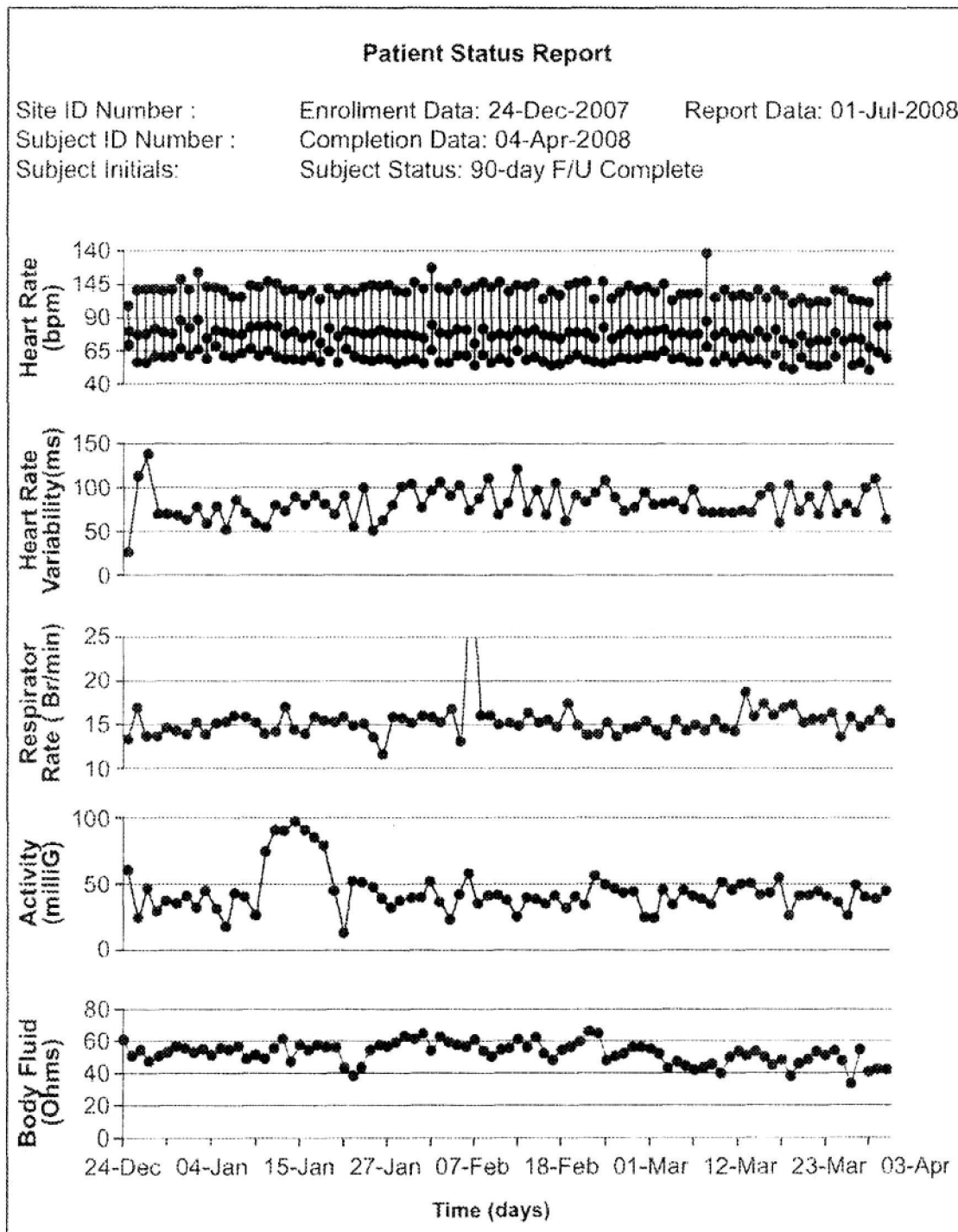


FIG. 3A

N.V. Pradeep Kumar
N.V. Pradeep Kumar Alanki
Of Global IP Services
Registration number: IN/PA-1543

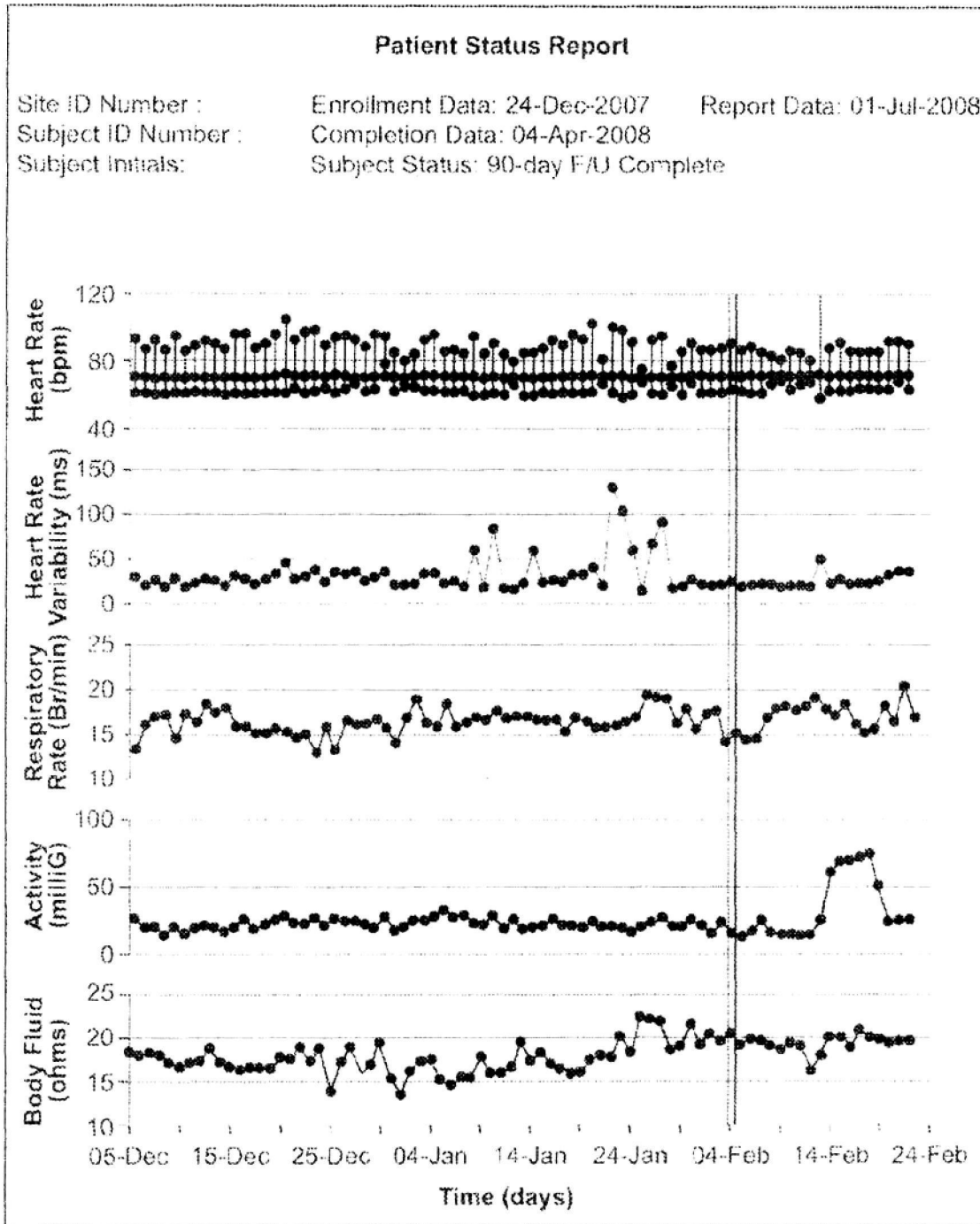


FIG. 3B

A. N. V. Pradeep Kumar
N. V. Pradeep Kumar Alanki
Of Global IP Services
Registration number: IN/PA-1543